

## ATEX Visual Dual Strobe

Model WVDS

### FEATURES:

- **Automatic synchronisation on multi-strobe system**
- **Beacons can be set to 'flip-flop' alternating mode with other units on multi-strobe systems**
- **Xenon tubes mechanically secured against shock & vibration**
- **Glass lens & stainless steel guard**
- **Very large termination area**
- **Ratchet adjustable stainless steel 'U' bracket**

The flameproof Model WVDS dual xenon beacons are suitable for Zone 1, 2, 21 & 22 applications.

With a dual flash energy of 5 Joules (60 fpm) the WVDS units are ideal for general signalling duties while their robust construction makes installation in the harshest of environments possible. The beacons may be connected from a single supply for simultaneous operation or from separate supplies for independent operation.

Additional features include automatic synchronisation on multi-beacon systems and stainless steel guard and mounting bracket as standard.

The WVDS range features enclosures manufactured from corrosion proof, marine grade copper free LM6 aluminium which is phosphated and powder coated. All models have two M20 cable entries, large termination areas and an ingress protection of IP66/67.

### APPROVALS:

ATEX certificate: KEMA 01ATEX222  
EN 60079-0 : 2006 EN 60079-1 : 2007  
EN 61241-0 : 2006 EN 61241-1 : 2004

IECEx certificate: IECEx KEM 10.0024  
IEC 60079-0 : 2004 (Ed4) IEC 60079-1 : 2007 (Ed6)  
IEC 61241-0 : 2004 (Ed1) IEC 61241-1 : 2004 (Ed1)

- Certificate approvals pending.  
Visit [www.federal-signal-indust.com](http://www.federal-signal-indust.com) for the latest information.

Model	Voltage	Voltage Range	Operating Current	Flash Rate/
<b>WVDS-024</b>	24VDC	20-24VDC	270mA	60
<b>WVDS-048</b>	48VDC	42-54VDC	180mA	60
<b>WVDS-115</b>	115VAC	104-126	140mA	60
<b>WVDS-230</b>	230VAC	207-253	55mA	60



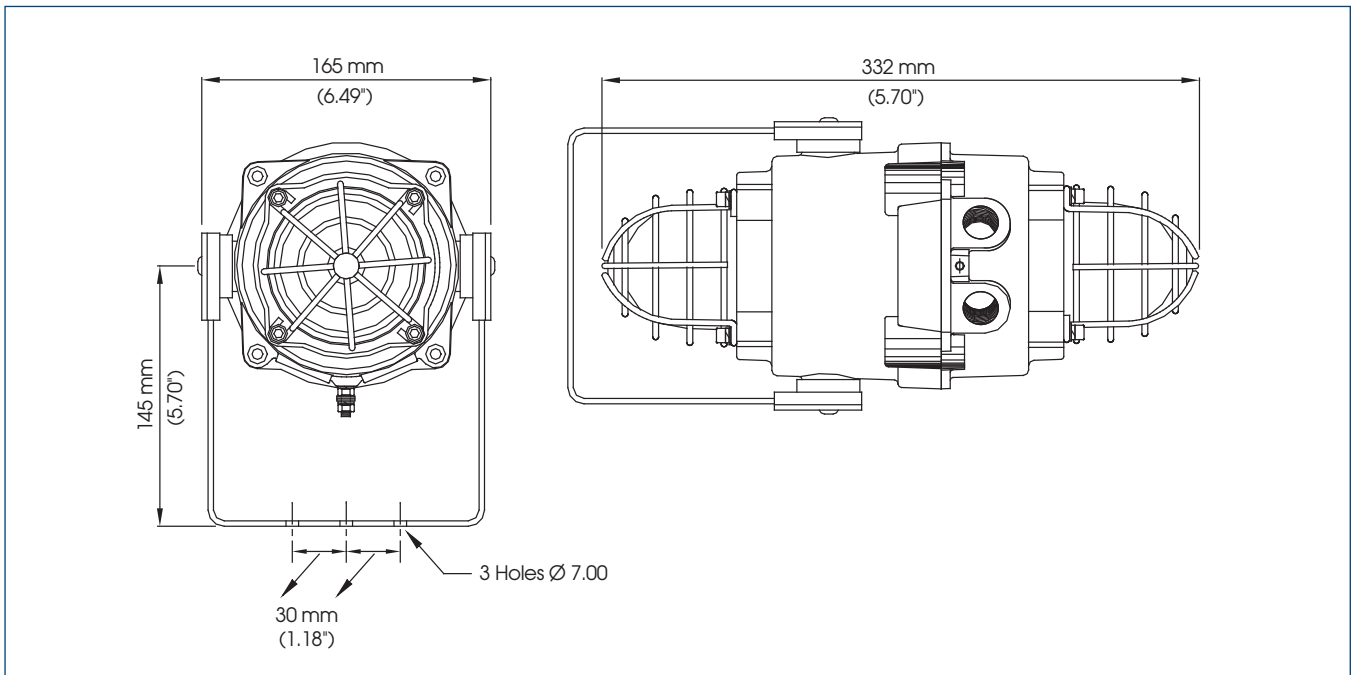
tél. : UK +44-(0)1625-666600 • USA +1-877-289-3246  
[www.fs-isys.com](http://www.fs-isys.com)



**FEDERAL SIGNAL**  
Safety and Security Systems / Industrial

*Advancing security and well being.*

## ATEX VISUAL DUAL STROBE (WVDS)



### SPECIFICATIONS

ATEX / IECEx:

II 2G Ex d IIC T4 Ta. -50°C to +70°C

II 2G Ex d IIC T5 Ta. -50°C to +55°C

II 2D Ex tD A21 IP67 T115°C

based on max. Ta. of +70°C

Energy: 5 Joules x 2 (5Ws)

Flash rate: 1Hz (60 fpm)

Peak Candela: 34,812 cd x 2

Effective Intensity cd: 54 cd x 2

Lens colors: Amber, Blue, Clear,  
Green, Red & Yellow

Voltages DC: 24VDC; 48VDC

Voltages AC: 115VAC; 230VAC (50  
Hz / 60Hz ±10%)

Ingress protection:

Housing material:

Housing finish:

Colour:

Cable entries:

Terminals:

Line monitoring :

Product Weight :

Shipping Weight :

IP66/67

Marine grade copper free LM6 Aluminium  
Phosphated & powder coated finish - anti-  
corrosion

RAL3000 Red (others available on request)

Dual M20 ISO (one stopping plug included)

0.5 to 4.0mm<sup>2</sup> cables

Min. 500 Ohm 2w, or 3k3 Ohm 0.5w res.  
or diode within Exd enclosure (dc versions)

DC: 2.95 Kg

AC: 3.00 Kg

DC: 3.70 Kg

AC: 3.75 Kg

### HOW TO ORDER

**WVDS - 024 - R - A**

TYPE	VOLTAGE	1st LENS COLOR	2nd LENS COLOR
<b>WVDS</b> ATEX Visual Dual Strobe	<b>024</b> - 24VDC <b>048</b> - 48VDC <b>115</b> - 115VAC <b>230</b> - 230VAC	<b>R</b> - Red	<b>A</b> - Amber <b>B</b> - Blue <b>G</b> - Green <b>R</b> - Red <b>Y</b> - Yellow

#259361A RevA

**UK - Federal Signal Corporation, Integrated Systems**  
Hulley Road, Macclesfield, Cheshire SK10 2NF, UK  
**tél:** +44 (0)1625 66 66 00 **fax:** +44 (0) 1625 611 352  
**web:** www.fs-isys.com **email:** systems@fedsig.co.uk

**USA - Federal Signal Corporation, Integrated Systems**  
2645 Federal Signal Drive, University Park, IL 60484, USA  
**tel:** +1 708-534-4723 **fax:** +1 708-534-4887  
**web:** www.fs-isys.com **email:** systems@fedsig.com