



Heavy Duty Direct Dial Digital Intercom Station

Model ECHO E-SS Series

Heavy Duty Direct Dial Stations

- 11 Gauge Stainless Steel Face Plate
- Speaker Protected by Tamper-Resistant Baffle Plates
- Tamper-Resistant Solid Metal Call Button
- Hands-Free Duplex Voice Communication
- Indoor or Outdoor Use
- Remotely Controlled Contact for Gate/Door Activation

The Federal Signal E-SS series heavy duty stations are used in parking garages, elevators, correctional facilities, institutions, and secured entry-ways to provide single button call and duplex voice communication.

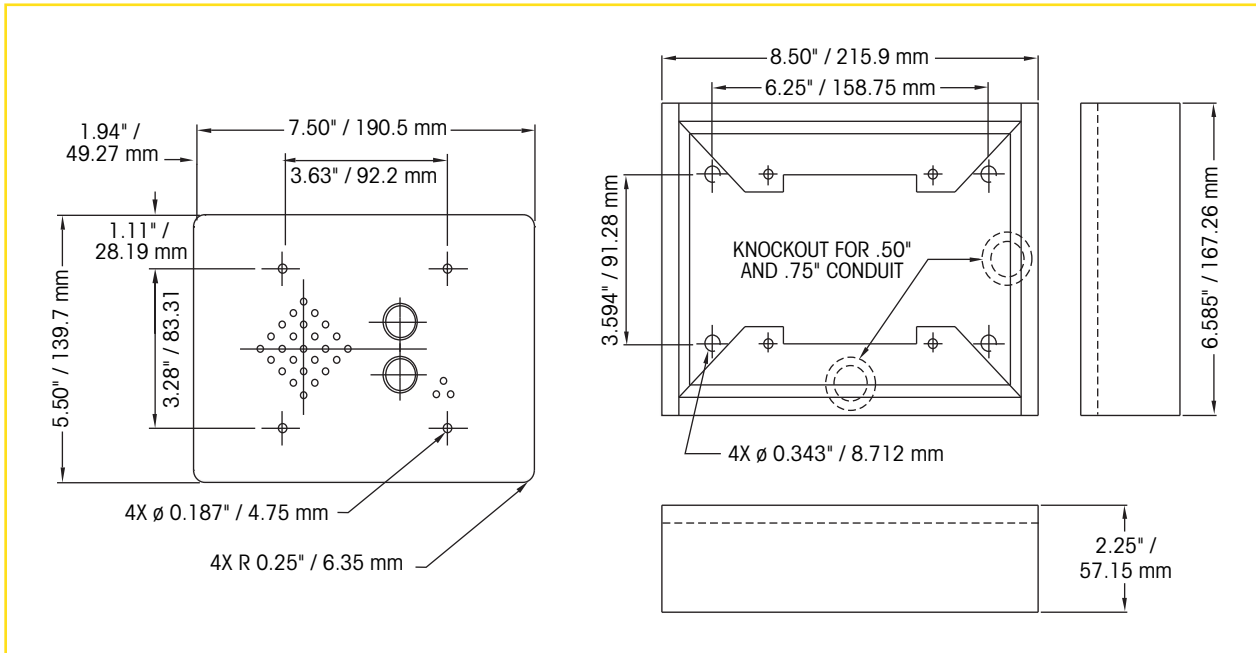
Depressing a single call button will place a call to any preprogrammed station in the system. Built-in relay contact may be activated from the connected Master station for door or camera control. The panel speaker and electret microphone provide hands-free duplex communication and a digital signal processor automatically adjusts the volume levels to compensate for acoustically difficult locations.

The E-SS series heavy duty call station faceplate is constructed of 11 gauge stainless steel with a brushed finish and furnished with a tamper resistant call switch and tamper-proof mounting fasteners. A moisture resistant speaker is protected by internal weather resistant baffles. The E-SS series station may be programmed for call destination and volume level from any master station in the system or via ECHO-SFW Windows® software.

CE ECHO



DIRECT DIAL DIGITAL INTERCOM STATION (E-SS)



SPECIFICATIONS

Dimensions (WxDxH):	7.5 x 3 x 5.5 in. (190 x 76 x 140mm)
Faceplate:	Thickness: 11 gauge, .125 in. (3.175 mm)
Material:	Stainless Steel
Rated Input (drawn from the line):	
Voltage:	24VDC nominal
Current: Idle:	20mA
Connected:	100mA
Amplifier Output (loudspeaker):	1.0 Watt
Loudspeaker:	
Size:	2.5 in.
Impedance:	45 Ohm
Microphone:	Type: Electret receiver element
Controls:	Call button, momentary contact, tamper resistant with metal activator and body
Relay Contact:	5A @ 24VDC
Volume Control:	30dB 10 steps, remotely programmed
Line Specifications:	
Attenuation:	24dB@ 160kb/s Max.
Loop Resistance:	170 Ohm Max.
Distance:	1.2 mi. (2km) Max.
Cable:	One twisted pair, non-shielded
Standards Compliance:	Overtoltage and current: CCITT K20 and BELLCORE TR-NW000974
Termination:	Plug-in screw terminal, non-polar

HOW TO ORDER

Specify model:	
Flush Mount:	Steel City 3G three gang or GW-335-C masonry type or equal
Surface Mount:	Federal Signal Model E-SSMB
Available Heavy Duty Stations:	
Model E-SSSB2	Dual Call Station 2 Stainless Steel buttons
Model E-SSSB1KR	Single Call with Integral Key Reset Switch
Model E-SSMB1	Single call with mushroom button
Model E-SSMB1L	Single call with mushroom button & LED
Model E-SSSB1	Single call with Stainless Steel button
Model E-SSSB1L	Single call with Stainless Steel button & LED
Options Available:	
ECHO-FOTI-CS	Fiber Optic Interface, control side
ECHO-FOTI-RS	Fiber Optic Interface, remote side
ECHO-FOTI-PS	Power Supply